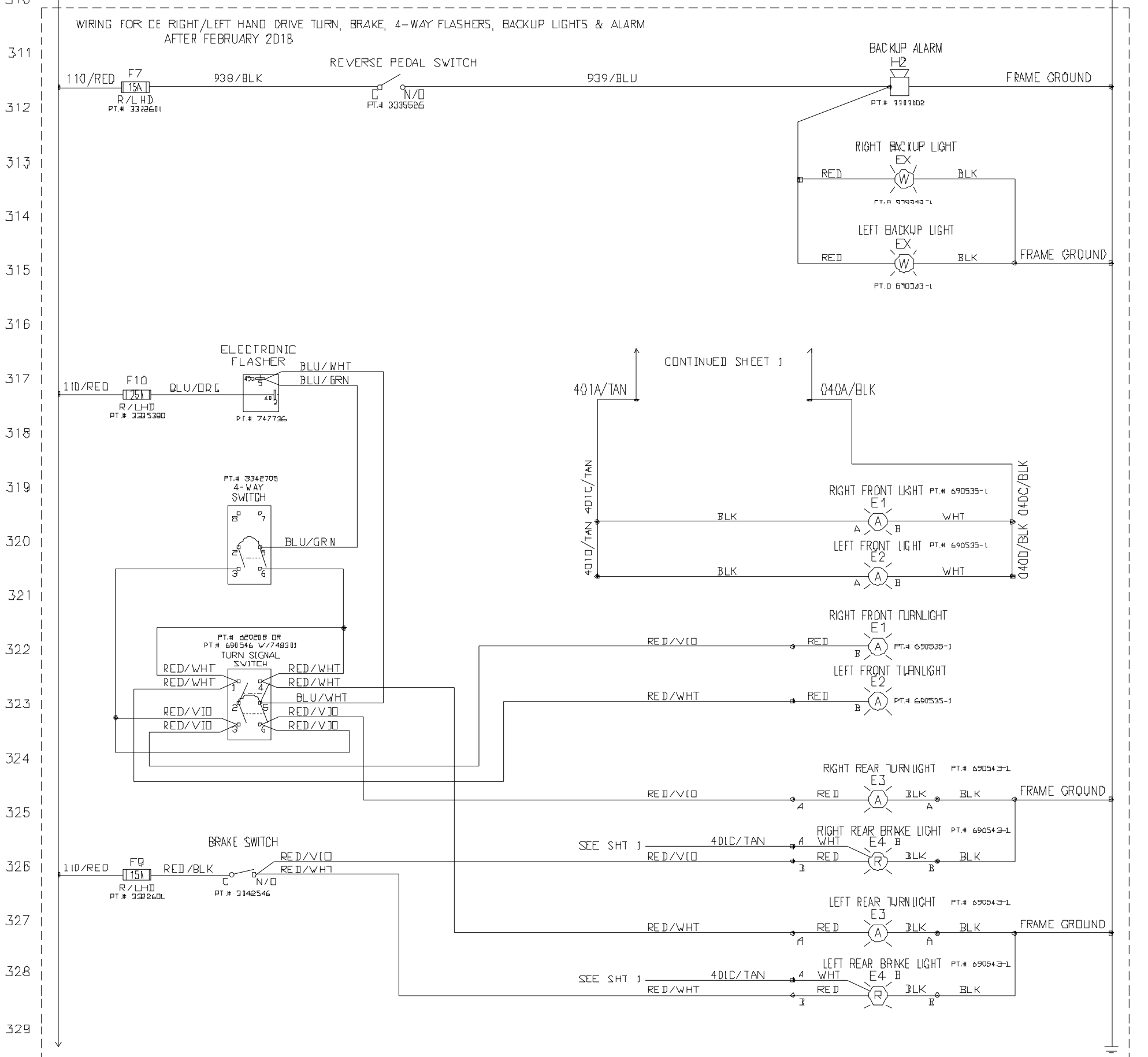


AM9D/9X LED LIGHTING



REV	ECN	DATE	DESCRIPTION	BY	TITLE	PART NUMBER	REVISION	PAGE NUMBER	
A	MIN-13049	07/28/15	UPDATED SCHEMATIC	KHH	14845 U.S. ROUTE 20 PINGREE GROVE, ILLINOIS 60140	CONFIDENTIAL THIS DOCUMENT IS UNCLASSIFIED DATE 05/03/2018 BY 60322 JWP AUTHORITY: 60322 JWP REVIEWED BY: 60322 JWP DATE: 05/03/2018	SCHEMATIC-ELECTRICAL		
B	MIN-13323	08/22/16	UPDATED SCHEMATIC- SEAT&NEUTRAL SWITCH	KHH			9X GAS/LPG CE		
C	MIN-13574	10/02/17	ADDED BLUE SAFETY LIGHTS	KHH			PART NUMBER		
D	150297	06/11/18	ADDED MERV. LED LIGHTS & SHT 4	KHH			3397502		
					ELECTRICAL DESIGN ENGINEER Jeff Polack	CAD BY JWP	DATE 5/3/10	REVISION D	PAGE NUMBER 4 OF 4